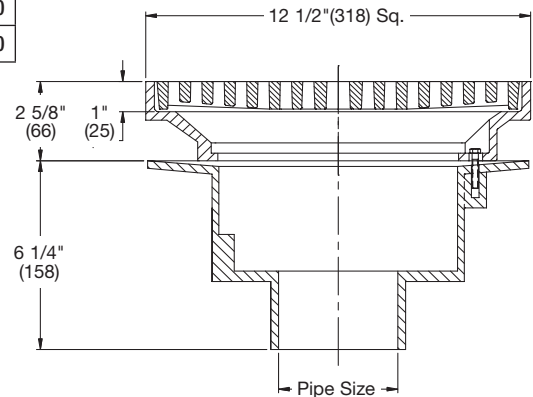


Area Drains

FD-460-F Area Drain with 12" Square Fixed Top



Model Number	Weight (lbs.)	Grate Size	Outlet Size	Grate	List Price
FD-462,3,4,5,6,8-F	85	12"(305) Sq.	2,3,4,5,6,8"	ductile iron	\$1,491.00
FD-462,3,4,5,6,8-F-1	85	12 1/2"(318) Sq.	2,3,4,5,6,8"	nickel bronze	2,580.00



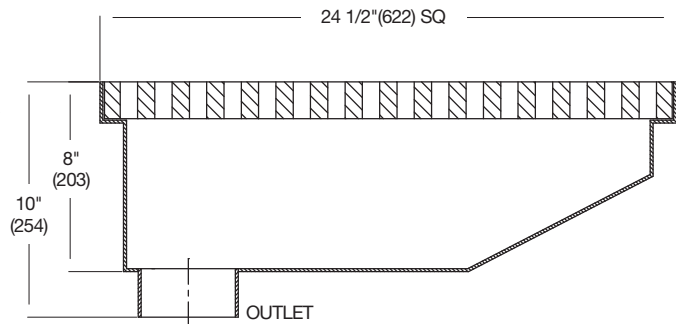
Note: Funnels are ordered separately. See page 63 for details.

Options for FD-460, 460-F Series:

Suffix	Description	List Price	Suffix	Description	List Price
None	No Hub	No Add	-34	Closure Plug	\$120.50
P	Push-On (2,3,4,6" Only)	No Add	-60	PVC Body w/Socket Outlet (2,3,4,6" Only)	No Add
T	Threaded Outlet (2,3,4,6" Only)	\$80.00	-61	ABS Body w/Socket Outlet (2,3,4" Only)	No Add
X	Inside Caulk Outlet (2,3,4,6" Only)	No Add	-F4-50	4" Round Cast Iron Funnel	179.00
-5	Sediment Bucket	256.00	-F4-1	4" Round Nickel Bronze Funnel	428.00
-6	Vandal Proof	147.00	-F6-1	6" Round Nickel Bronze Funnel	625.05
-7	Trap Primer Tapping	150.00	-G-50	4x9" Oval Cast Iron Funnel	423.00
-8	Ball Float Backwater Valve (2,3,4" only)	377.50	-G-1	4x9" Oval Nickel Bronze Funnel	872.00
-9	Hinged Grate	273.50	-S0	Side Outlet (2,3,4" Only)	336.00
-13	All Galvanized	887.50			
-21	Secondary Strainer	67.50			

FD-530 Large Capacity Bottom Outlet Offset Parking Area Drain

Model Number	Weight (lbs.)	Grate Size	Outlet Size	Grate	List Price
FD-533,4,6,8	400	24" Sq.	3,4,6,8" NH	ductile iron	\$11,278.50



Note: Funnels are ordered separately. See page 63 for details.

Options for FD-530 Series

Suffix	Description	List Price
-5	Sediment Bucket	\$853.50
-6	Vandal Proof Grate	457.50
-38	Solids Retaining Baffle	580.00
-C	Membrane Clamp	1,095.00
-T	Threaded Outlet	266.00